

# AirGuard

Portable Breathing Air Filtration System  
15 CFM, 1 Airline Connection



## PRODUCT HIGHLIGHTS

- Meets OSHA Grade D breathing air requirements
- CO and differential dew point sensors
- Removes oils, solid particles, water and unpleasant odors
- Respirator CFM and sensor flow alarms
- Visual and audible alarm warnings
- Datalog - OSHA compliance records
- Portable - battery operated, rechargeable

AirGuard is an innovative next-generation solution for OSHA Grade D compressed breathing air requirements. It integrates breathing air filtration with sensors for Carbon monoxide (CO) and differential dew point for both safety and breathing air comfort.

Designed with the user in mind, AirGuard has an external easy-to-read display to communicate threats beyond general audible alarm warnings. The display is readable from over 30 feet allowing for a quick response when AirGuard detects a hazardous situation.

Using its menu-driven interface, AirGuard is easy to operate. It provides a system status upon power up and most importantly keeps track of the sensor and function status and calibration interval. The AirGuard data log records all the real-time sensor data,

calibration events, and diagnostic data over time. This data is easily downloadable to a PC using the removable USB drive for operational record keeping and OSHA compliance reporting.

The AirGuard model AGP-15-1 has a 15 CFM capacity with 1 output connection for NIOSH approved supplied-air respirators. It can be configured to use either Hansen or Schrader standard connections allowing ease of compatibility with breathing air accessories. AirGuard has a state of the art three-stage air filtration system that removes oils, water, solid particles, and unpleasant odors.

# AirGuard

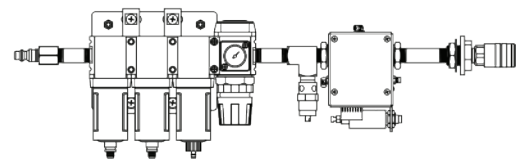
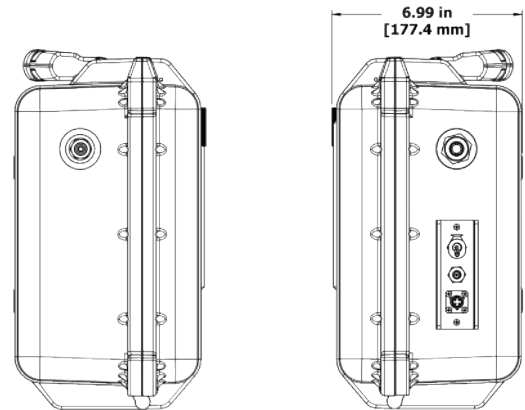
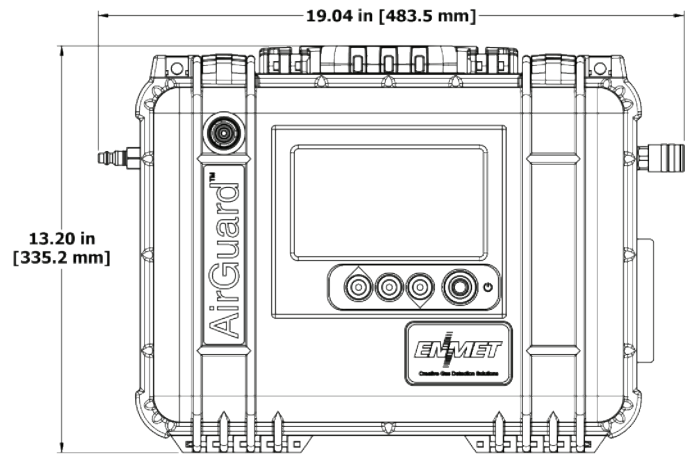
## GENERAL SPECIFICATIONS

<b>Display:</b>	Backlit, 7" diagonal color display
<b>Alarms:</b>	User programmable
<b>Air Flow Alarm Pt:</b>	< 5 CFM $\pm$ 1 CFM
<b>Sensor Types:</b>	Carbon Monoxide (0 to 50 ppm) Dew Point (-20°F to ambient)
<b>Sensor Accuracy:</b>	Carbon Monoxide: $\pm$ 5% @ 10 ppm Dew Point: $\pm$ 2°F @ 50°F
<b>Sensor Response Time:</b>	<60 seconds
<b>Keypad:</b>	3-button touch, weatherproof w/tactile feedback
<b>Battery Life:</b>	10 hours before recharge
<b>Data Logging:</b>	2 points per minute
<b>Data Storage Medium:</b>	USB memory stick
<b>Fittings:</b>	Hansen or Schrader Connections
<b>Inlet Pressure:</b>	Maximum 150 psi
<b>Total Air Capacity:</b>	Maximum 15 CFM
<b>Outlet Connection:</b>	Supplied with one coupling
<b>Inlet Port:</b>	1/2 inch quick disconnect
<b>Filter Train:</b>	3-stages of filtration (5 micron, 0.01 micron, carbon adsorber)
<b>Weight:</b>	19.2 Lbs.
<b>Warranty:</b>	2 years on sensors and monitor (excluding replacement filters)
<b>Agency Approval:</b>	UL 61010 U.S. and Canada

### Optional Models Available:

- 30 CFM Two Couplings
- 50 CFM Four Couplings
- 100 CFM Eight Couplings

## DIMENSIONS



AirGuard 15 CFM 1-port airline connection

## ORDERING INFORMATION

### Description

- AirGuard - Portable, 15 CFM, One Coupling Hansen Type, CO and Differential Dew Point Sensors
- AirGuard - Portable, 15 CFM, One Coupling Schrader Type, CO and Differential Dew Point Sensors
- Calibration Kit Assembly, AirGuard
- AirGuard Replacement Filter Kit 15 CFM

### Part No.

- AGP-15-1-00-00
- AGP-15-1-00-01
- 03414-005
- 73089-100