

# GSM-60

## Gas Sampling Monitor with Internal Pump



### PRODUCT HIGHLIGHTS

- **Continuous real-time gas monitoring with internal and remote sensors**
- **Can be custom configured with up to 4 sensors**
- **Able to withstand harsh process environments**
- **User programmable alarms and relays**
- **Can be configured for reactive gases**
- **Field replaceable sensors**

GSM-60 is a versatile hazardous gas monitoring system, designed with an internal sampling pump and the capability of using both internal sensors and remote sensor transmitters to continuously and simultaneously monitor up to four gases in real-time. It is capable of utilizing an array of sensor technologies, infrared (IR), electrochemical (EC), photoionization detector (PID), metal oxide semiconductor (MOS), and catalytic (CAT). GSM-60 can be configured to monitor a wide range of chemicals in ambient air including VOCs, carbon monoxide, carbon dioxide, oxygen, trace hydrocarbons as well as many toxic and industrial gases. Additionally, GSM-60 is capable of monitoring reactive gases such as arsine, chlorine dioxide, ethylene oxide, hydrogen fluoride and ozone.

GSM-60 has a user-friendly software interface and is operated by using push buttons and LCD display. The general instrument set-up configuration and maintenance functions are password protected to prevent unauthorized personnel from gaining access to secure data. The maintenance and operation menu functions allow the user to change alarm points, program relays

and perform calibrations in the field. This monitor uses a backlit digital display, a power LED and a fault LED indicator, integrated audible and visual alarms with two alarm threshold indicators and features a four minute audio defeat option for alerts below alarm level maximum. The sample flow rate for the internal sampling pump and sensors is 0.5 liter per minute (LPM).

GSM-60 is ENMET's most capable, real-time monitor for a wide range of hazardous gas situations. This instrument is designed for monitoring ambient air in difficult environments such as headspaces of tanks, HVAC ductwork, VOC scrubber exhausts and wastewater treatment plants. The GSM-60 has been used in a variety of industrial applications including medical, pharmaceutical, aerospace and process manufacturing industries and can be easily adapted to meet your specific needs.

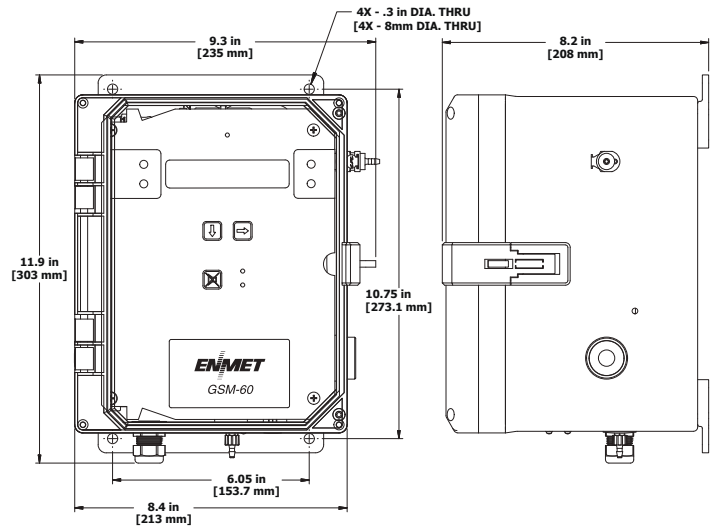
For additional information on how to order your GSM-60, contact the ENMET sales department today. Please let us know the gases you would like to monitor along with the ranges and alarm points and then we will custom design a GSM-60 for your monitoring application.

# GSM-60

## GENERAL SPECIFICATIONS

<b>Display:</b>	High-contrast, backlit
<b>Alarms:</b>	Visual: LEDs Audible: Piezoelectric horn, 95 dB at 2 feet
<b>Alarm Relays:</b>	5 programmable gas relays plus fault. All relays are programmable latching or non-latching, dry SPDT, 10 amps (resistive load only) at 110 VAC.
<b>Operating Power:</b>	100 to 240 VAC and/or 12 VDC, 15 Watts
<b>Inputs/Outputs:</b>	Analog: 4-20 mA Digital: RS-232 and RS-485 Modbus
<b>Sample Inlet Connection:</b>	Female quick release, supplied with male quick release for 1/8" I.D. tubing. Tubing available from ENMET on request.
<b>Flow Rate:</b>	0.5 liter per minute (1 SCFH)
<b>Enclosure:</b>	Thermoplastic box with clear, hinged front cover, designed for NEMA 12 and 4X
<b>Dimensions:</b>	9.3 W x 11.9 H x 8.2 D inches (23.5 W x 30.3 H x 20.8 D cm)
<b>Weight:</b>	9 lbs. (4 kg.)

## DIMENSIONS



## ORDERING INFORMATION

Use the gas chart below to select your custom gas monitoring configuration. Please contact the ENMET sales department and let us know the gases you would like to monitor along with the ranges and alarm points and then we will design a GSM-60 for your specific gas detection requirements.

## GASES MONITORED\*

- |   |  |  |  |
|---|--|--|--|
| <ul style="list-style-type: none"><li>Acetaldehyde, CH<sub>3</sub>CHO</li><li>Acetone, (CH<sub>3</sub>)<sub>2</sub>CO</li><li>Acetonitrile, CH<sub>3</sub>CN</li><li>Ammonia, NH<sub>3</sub></li><li>Arsine, AsH<sub>3</sub></li><li>Benzene, C<sub>6</sub>H<sub>6</sub></li><li>Bromine, Br<sub>2</sub></li><li>Butane, C<sub>4</sub>H<sub>10</sub></li><li>2-Butanone (MEK), C<sub>4</sub>H<sub>8</sub>O</li><li>Carbon dioxide, CO<sub>2</sub></li><li>Carbon monoxide, CO</li><li>Chlorine, Cl<sub>2</sub></li><li>Chlorine dioxide, ClO<sub>2</sub></li><li>Combustible Gas</li><li>Ethanol, CH<sub>3</sub>CH<sub>2</sub>OH</li><li>Ethyl alcohol, C<sub>2</sub>H<sub>5</sub>OH</li><li>Ethylene, C<sub>2</sub>H<sub>4</sub></li></ul> | <ul style="list-style-type: none"><li>Ethylene oxide (ETO), C<sub>2</sub>H<sub>4</sub>O</li><li>Fluorine, F<sub>2</sub></li><li>Gasoline</li><li>Heptane, C<sub>7</sub>H<sub>16</sub></li><li>Hexane, C<sub>6</sub>H<sub>14</sub></li><li>Hydrazine, N<sub>2</sub>H<sub>4</sub></li><li>Hydrocarbons</li><li>Hydrogen, H<sub>2</sub></li><li>Hydrogen bromide, HBr</li><li>Hydrogen chloride, HCl</li><li>Hydrogen cyanide, HCN</li><li>Hydrogen fluoride, HF</li><li>Hydrogen sulfide, H<sub>2</sub>S</li><li>Isobutane, C<sub>4</sub>H<sub>10</sub></li><li>Isobutylene, C<sub>4</sub>H<sub>8</sub></li><li>Isopropanol, CH<sub>3</sub>CHOH</li><li>Isopropyl alcohol (IPA), C<sub>3</sub>H<sub>8</sub>O</li></ul> | <ul style="list-style-type: none"><li>Jet Fuel, JP-8</li><li>Kerosene</li><li>Methane, CH<sub>4</sub></li><li>Methanol, CH<sub>3</sub>OH</li><li>Methyl alcohol, CH<sub>3</sub>OH</li><li>Methyl chloride, CH<sub>3</sub>Cl</li><li>Methyl ethyl ketone (MEK), C<sub>4</sub>H<sub>8</sub>O</li><li>Methylene chloride, CH<sub>2</sub>Cl<sub>2</sub></li><li>Natural Gas</li><li>Nitric oxide, NO</li><li>Nitrogen dioxide, NO<sub>2</sub></li><li>Nitrous oxide, N<sub>2</sub>O</li><li>Organic solvents</li><li>Oxygen, O<sub>2</sub></li><li>Ozone, O<sub>3</sub></li><li>Pentane, C<sub>5</sub>H<sub>12</sub></li></ul> | <ul style="list-style-type: none"><li>Phosphine, PH<sub>3</sub></li><li>Propane, C<sub>3</sub>H<sub>8</sub></li><li>Propylene, C<sub>3</sub>H<sub>6</sub></li><li>Propylene oxide, C<sub>3</sub>H<sub>6</sub>O</li><li>Saline, SiH<sub>4</sub></li><li>Solvents</li><li>Styrene, C<sub>8</sub>H<sub>8</sub></li><li>Sulfur dioxide, SO<sub>2</sub></li><li>Toluene, C<sub>7</sub>H<sub>8</sub></li><li>Trichloroethylene, C<sub>2</sub>HCl<sub>3</sub></li><li>Vinyl chloride aka Chloroethene (VCM), C<sub>2</sub>H<sub>3</sub>Cl</li><li>Volatile Organic Compounds VOCs</li><li>Xylene, C<sub>8</sub>H<sub>10</sub></li></ul> |
|---|--|--|--|

\*If the gas you need to monitor is not listed, contact ENMET for more details

**WARNING:** Loss of primary power renders continuous gas monitors inoperative. Contact factory for specifications and pricing for backup battery systems compatible with ENMET monitors.